

SINGER
5910N103

LIST OF PARTS

Sewing Machine Models

5910N103

by **SINGER®**

From the library of: Diamond Needle Corp



A Publication of Product Support
International Group Engineering

Part no. 317161-013A

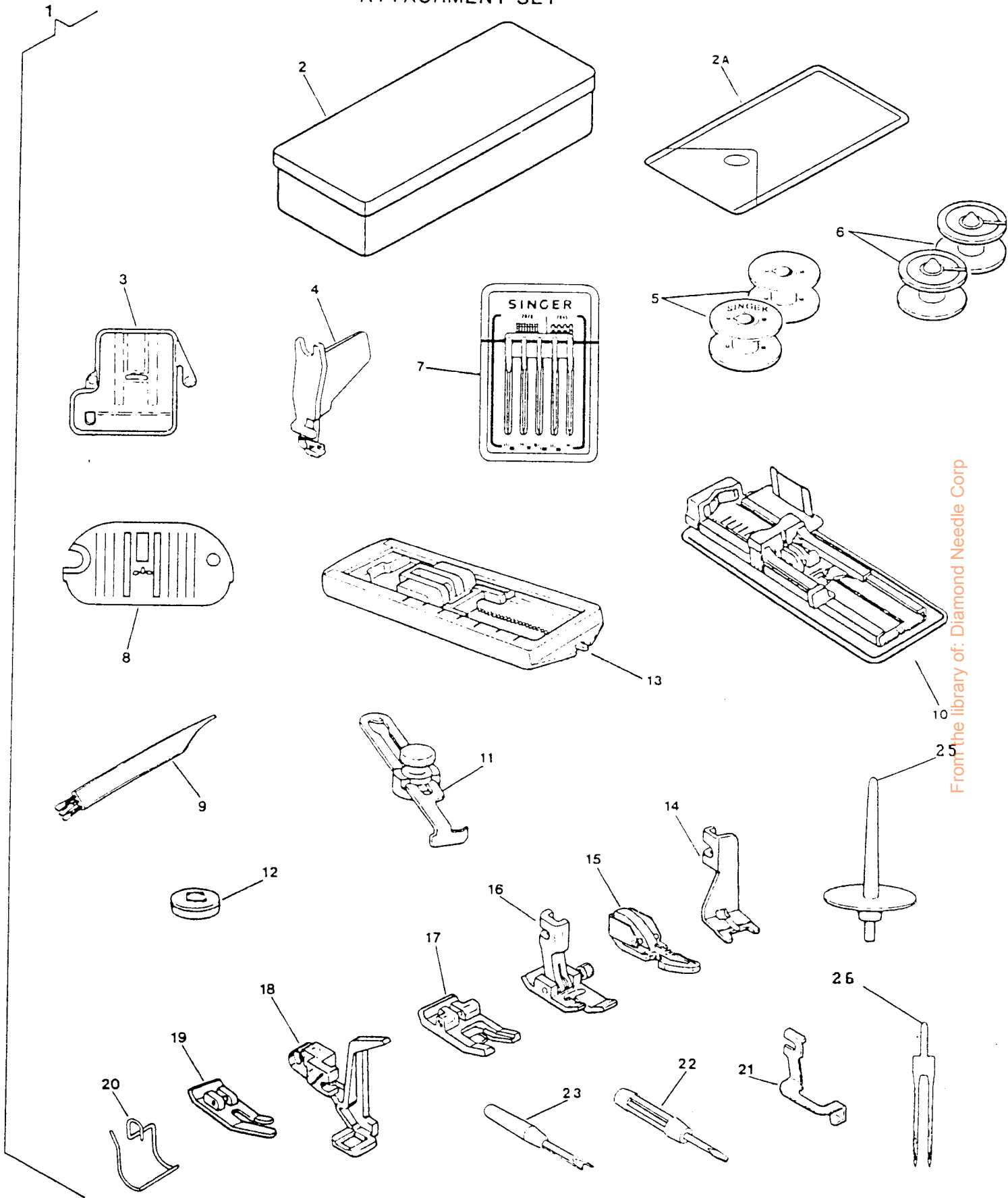
Printed In Taiwan

INDEX

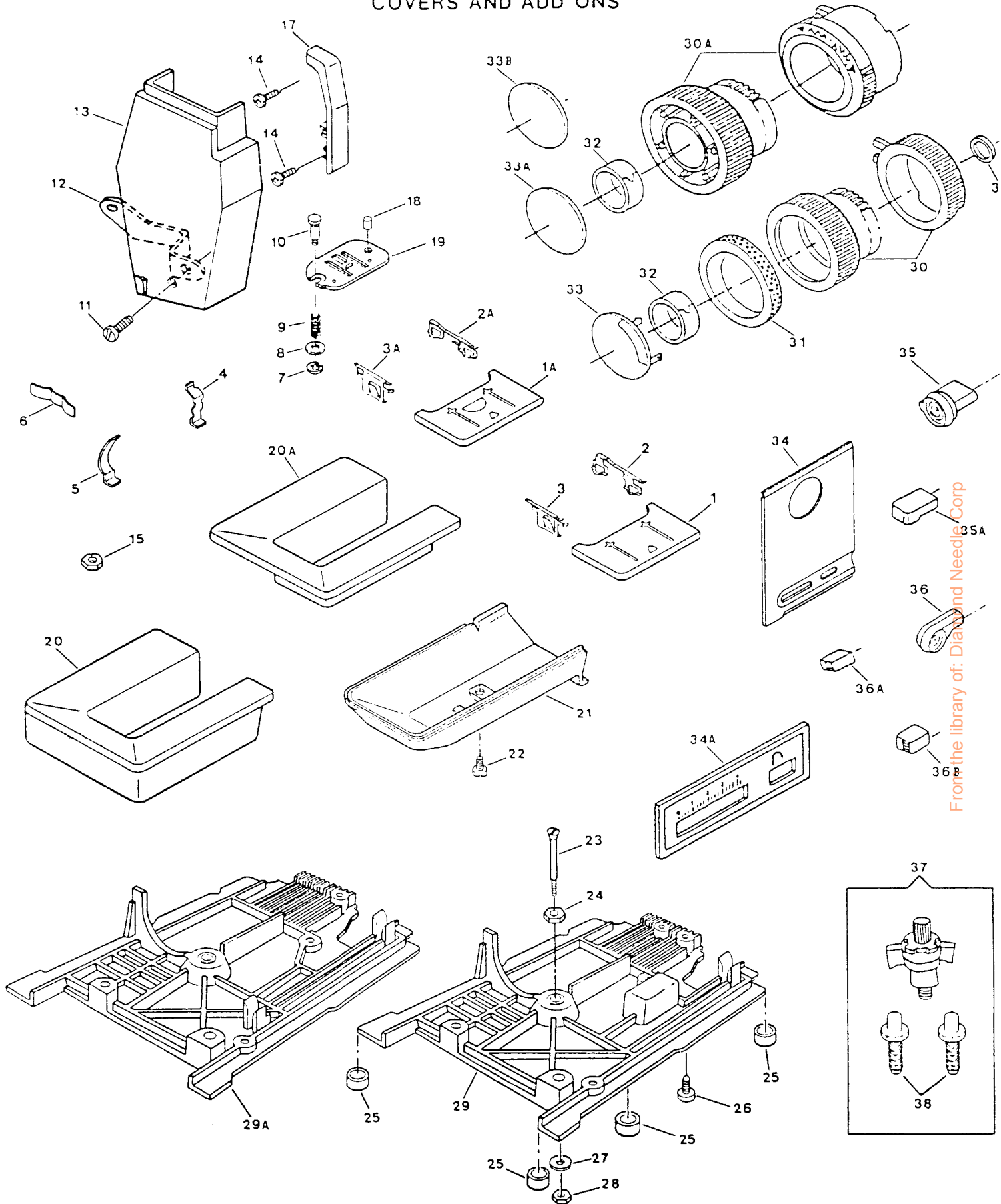
PAGE NO.	SUBASSEMBLY
1, 2	ATTACHMENT SET
3, 4	COVERS AND ADD ONS
5, 8	ARM TOP COVER
9, 10	ARM SHAFT DRIVE SYSTEM
11, 12	HAND WHEEL
13, 14	COAXIAL PRESSER BAR SYSTEM
15, 16	NEEDLE BAR & THREAD TAKE-UP
17, 18	ALPHA FEED
19, 20	HOOK SYSTEM (APOLLO)
21, 22	HOOK AND BOBBIN WINDING SYSTEM (CENTAUR)
23, 28	PATTERN, STITCH LENGTH CONTROL & CAM CONTROLLED FEED
29, 30	DEMAND RESPONSIVE NEEDLE TENSION SYSTEM
31, 36	ELECTRICAL EQUIPMENT

ATTACHMENT SET
MODEL: 5910N103 (US/CANADA)

REF. PART NO.	PART NO.	DESCRIPTION
1	313030-942	ATTACHMENT COMPLETE (IN ACCESSORY BOX)
2	402673-455	ACCESSORY BOX COMPLETE (ALT:402673-454)
3	313117	FEED COVER PLATE
5	172336-001	BOBBIN (APOLLO)
7	353364	NEEDLE PACK (ALT: 384064)
9	546358-453	LINT BRUSH
13	313992-451	PRESSER FOOT PLATE (4-STEPS) FOR SEWING BUTTONHOLE
15	171480	PRESSER FOOT PLATE FOR CORDING AND SLIDE FASTENERS COMPLETE
17	171463	SPECIAL PURPOSE PRESSER FOOT PLATE
21	171110	BLINDSTITCH GUIDE



From the library of: Diamond Needle Corp



From the library of: [Diana and Needle Corp](#)

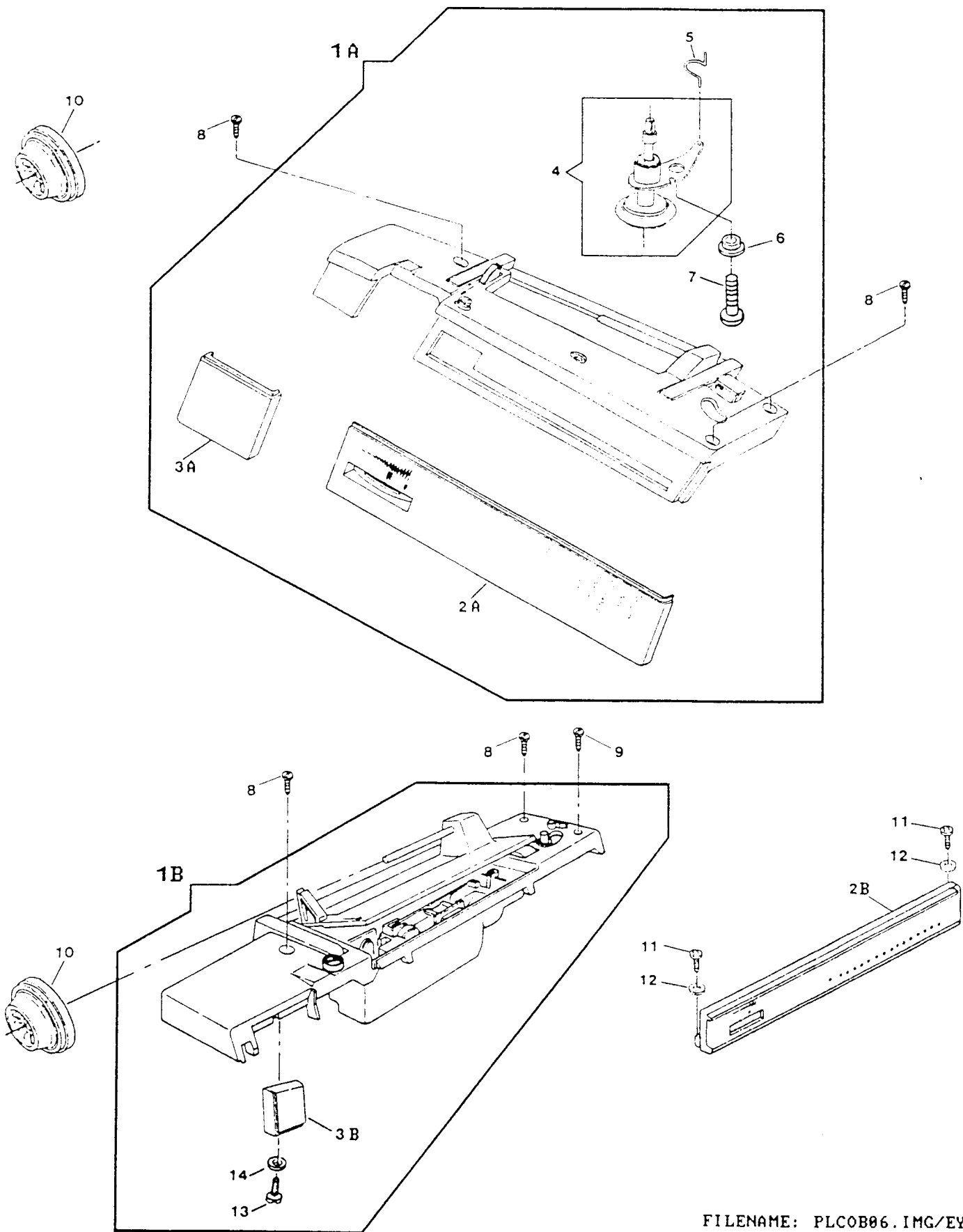
COVERS AND ADD ONS
 MODEL: 5910N103 (US/CANADA)

REF. NO.	PART NO.	DESCRIPTION
1	314666	BED SLIDE ASSEMBLY COMPLETE (APOLLO)
2	314669	BED SLIDE SPRING (RIGHT)
3	314670	BED SLIDE SPRING (LEFT)
4	313178	BED SLIDE STOP
5	313179	BED SLIDE STOP SPRING
6	313118	CLOTH PLATE SPRING
7	313098	THROAT PLATE POUNGER RETAINING RING
8	549426-451	THROAT PLATE PUNGER WASHER
9	312805	THROAT PLATE PLUNGER SPRING
10	312804	THROAT PLATE PLUNGER
11	137250-451	FACE PLATE MOUNTING SCREW
12	317226	FACE PLATE MOUNTING BRACKET
13	314259-451	FACE PLATE COMPLETE
14	113470-003	THREAD TAKE-UP COVER MOUNTING SCREW
15	313049	BED INSERT NUT
17	314718-451	THREAD TAKE-UP COVER (#310K)
18	314765	THROAT PLATE LOCATING PIN
19	312777	THROAT PLATE FOR ZIG-ZAG SEWING
20	313882-451	CLOTH PLATE (#310K)
21	312773-451	BED COVER TUBULAR (#310K)
22	354633-452	BED COVER (TUBULAR) SCREW
23	313052-451	BOTTOM COVER MOUNTING BOLT
24	313173-451	BOTTOM COVER MOUNTING BOLT RETAINING NUT
25	313909-451	BED LEG CUSHION
26	113455-002	BED COVER PLATE (BOTTOM) SCREW
27	314712-451	BOTTOM COVER MOUNTING BOLT WASHER
28	313177-452	BOTTOM COVER MOUNTING BOLT MOUNTING NUT
29A	312774-001	BED COVER PLATE (BOTTOM)
30A	314239-458	PATTERN SELECTOR KNOB AND STITCH BALANCE KNOB KIT ASSEMBLY
32	313535	PATTERN SELECTOR KNOB COMPRESSION RING
33A	314744-461	PATTERN SELECTOR KNOB TRIM PLATE
34A	317009-003	STITCH LENGTH CONTROL PANEL WITH GRAPHICS
35A	312657-458	REVERSE FEED CONTROL LEVER KNOB (PLASTIC #310K)
36A	314676-458	BIGHT AMPLITUDE CONTROL LEVER KNOB (PLASTIC #310K)
36B	312664-458	STITCH LENGTH CONTROL LEVER KNOB AND TENSION REGULATION KNOB (#310K)

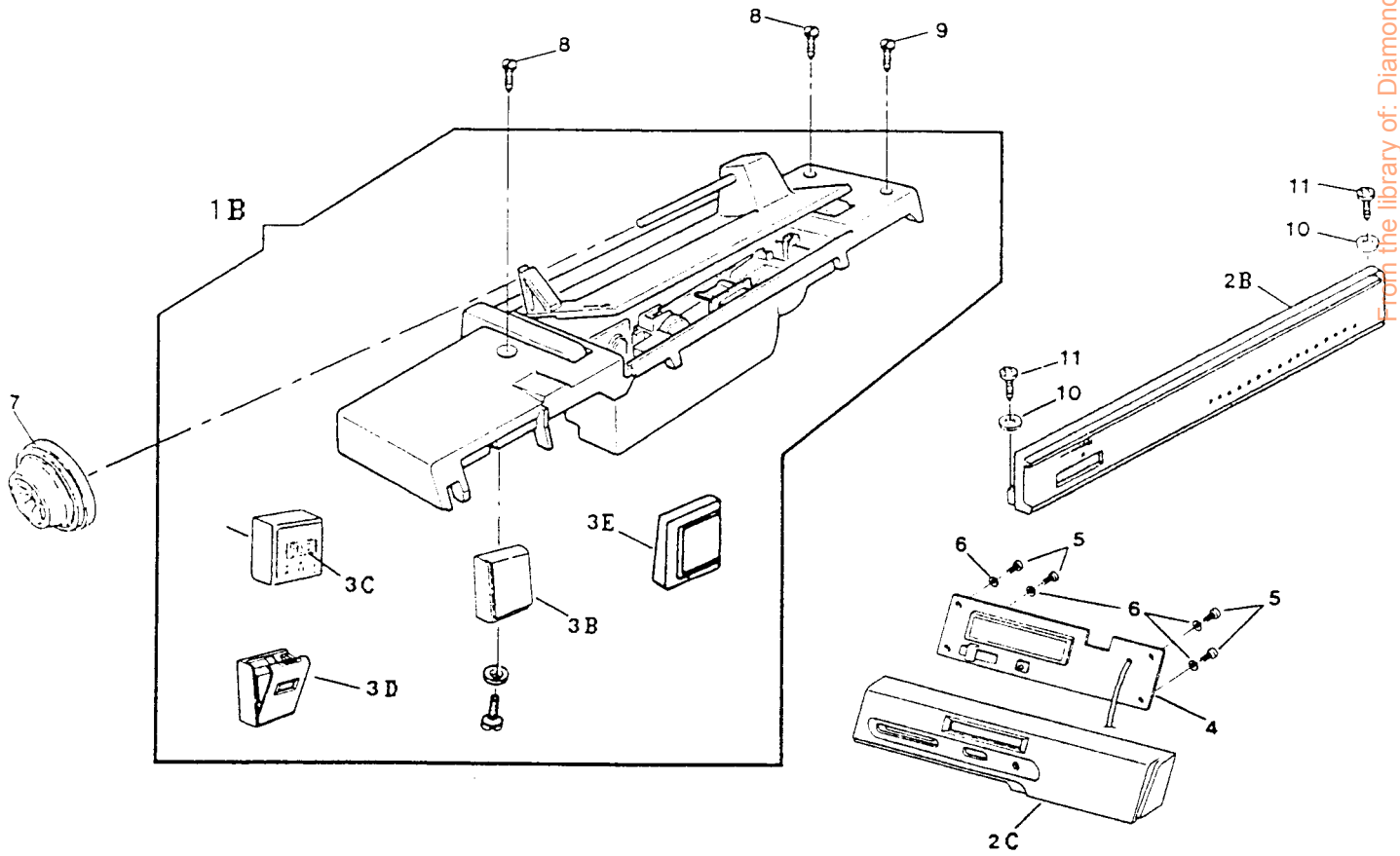
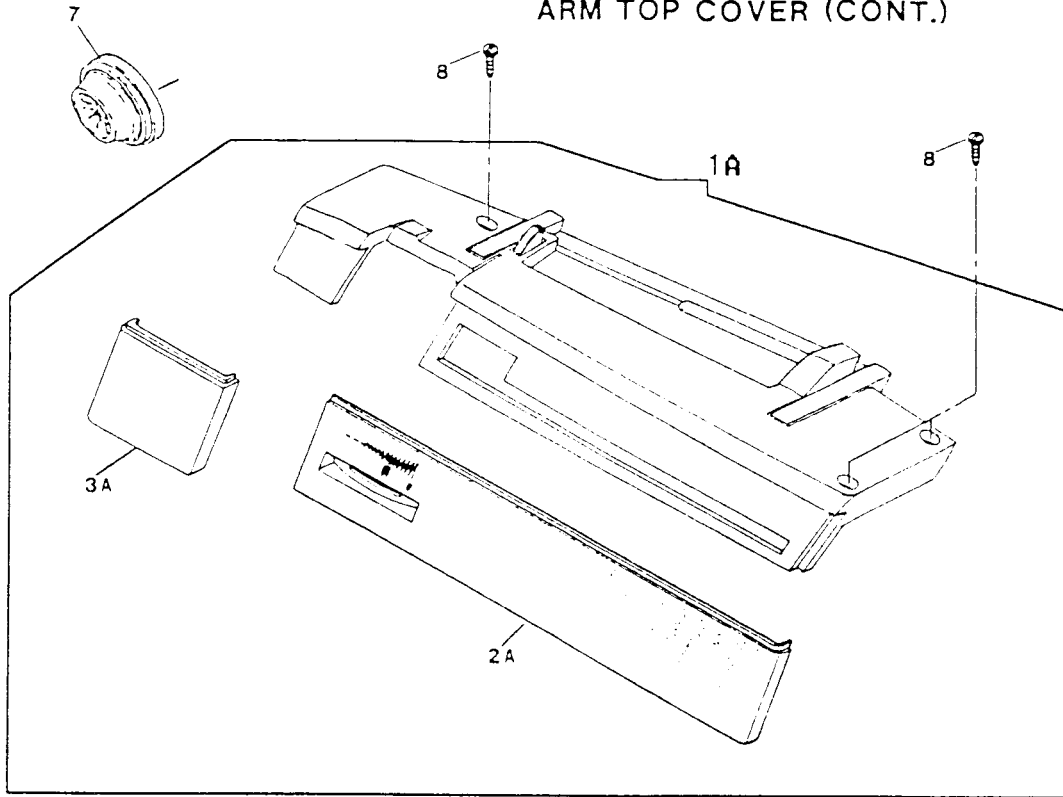
ARM TOP COVER
MODEL: 5910N103 (US/CANADA)

REF. PART NO.	PART NO.	DESCRIPTION
1A	314657-015	ARM TOP COVER COMPLETE WITH HANDLE
2A	314640-909	CONTROL PANEL WITH GRAPHICS
3A	314703-927	CONTROL PANEL EXTENSION WITH GRAPHICS
4	312901	BOBBIN WINDER ASSEMBLY
5	312897-001	BOBBIN WINDER LEVER SPRING
6	312613	BOBBIN WINDER LEVER HING SCREW SHOULDER WASHER
7	354927-004	BOBBIN WINDER LEVER HINGE SCREW
8	354927-001	ARM TOP COVER MOUNTING SCREW
10	179967-451	SPOOL PIN THREAD LEAD-OFF (#310K)

ARM TOP COVER



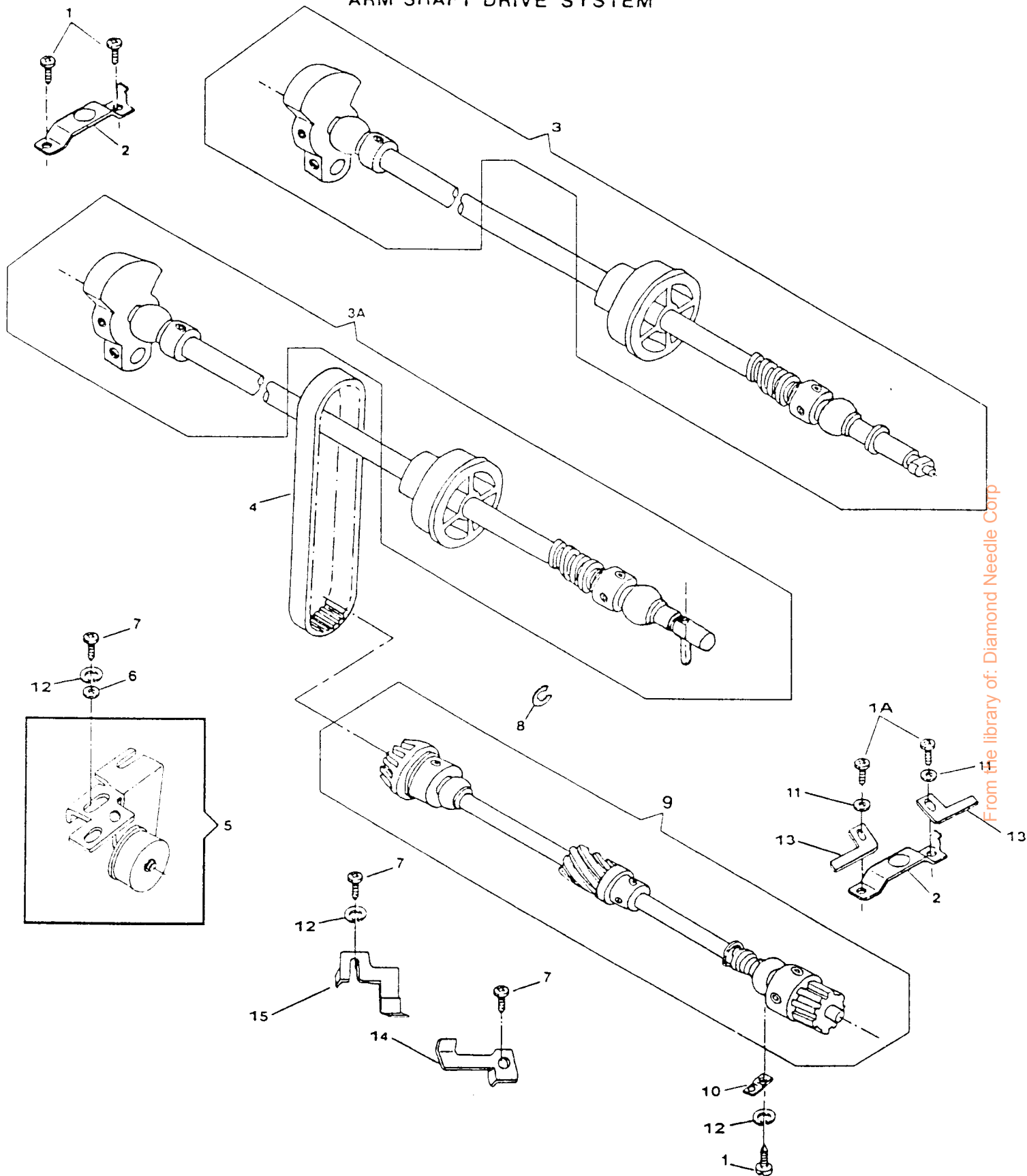
From the library of: Diamond Needle Corp



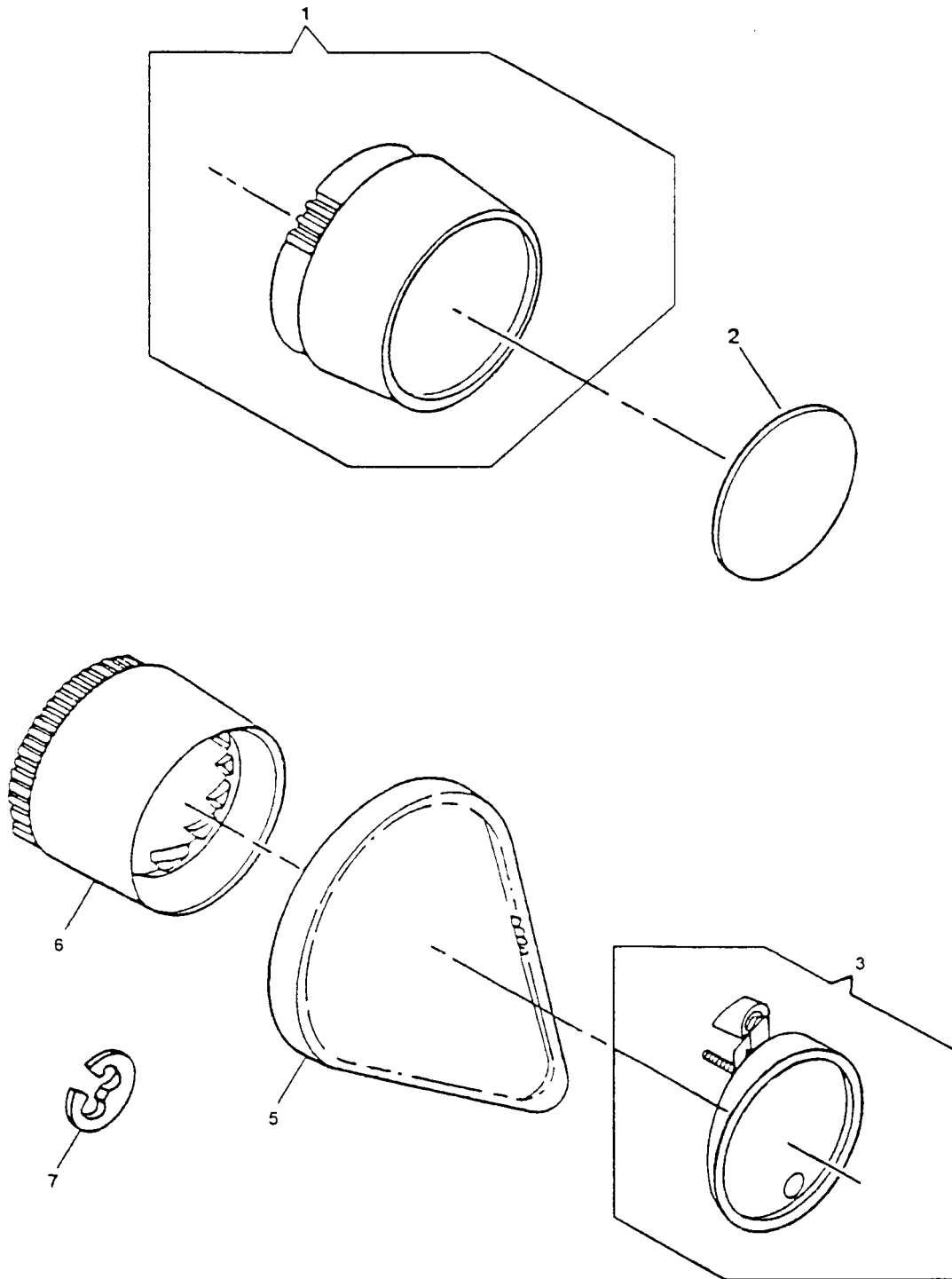
ARM SHAFT DRIVE SYSTEM
MODEL: 5910N103 (US/CANADA)

REF. PART NO.	PART NO.	DESCRIPTION
1	113455-002	ARM SHAFT (HORIZONTAL) BUSHING (LEFT) CLAMP SCREW
1A	113455-004	ARM SHAFT (HORIZONTAL) BUSHING (RIGHT) CLAMP SCREW
2	312796	ARM SHAFT (HORIZONTAL) BUSHING (LEFG & RIGHT) CLAMP
3	313111-002	ARM SHAFT ASSEMBLY (APOLLO)
4	603975-011	BELT (ROTATING HOOK DRIVE) ALT: 603975-012
5	313195-001	IDLER BRACKET ASSEMBLY
6	314041-451	ROTATING HOOK DRIVING BELT TENSION ADJUSTER SCREW WASHER
7	113455-002	ROTATING HOOK DRIVING BELT TENSION ADJUSTER SCREW
8	313153	HAND WHEEL RETAINING RING
9	370560	ROTATING HOOK DRIVE SHAFT SUB-ASSEMBLY
10	313816	ROTATING HOOK DRIVE SHAFT BUSHING (SELF-ALIGNING) CLAMP
11	316164	WASHER, ROTATING HOOK DRIVE SHAFT BUSHING (SELF-ALIGNING) CLAMP SCREW
12	314013-451	LOCK WASHER, ROTATING HOOK DRIVING BELT TENSION ADJUSTER SCREW
13	137873	MOTOR BELT STOP PLATE
14	137916	ROTATING HOOK BELT SLIP PREVENTION GUARD (LOWER)
15	137286	ROTATING HOOK BELT SLIP PREVENTION GUARD

ARM SHAFT DRIVE SYSTEM



From the library of: Diamond Needle Corp

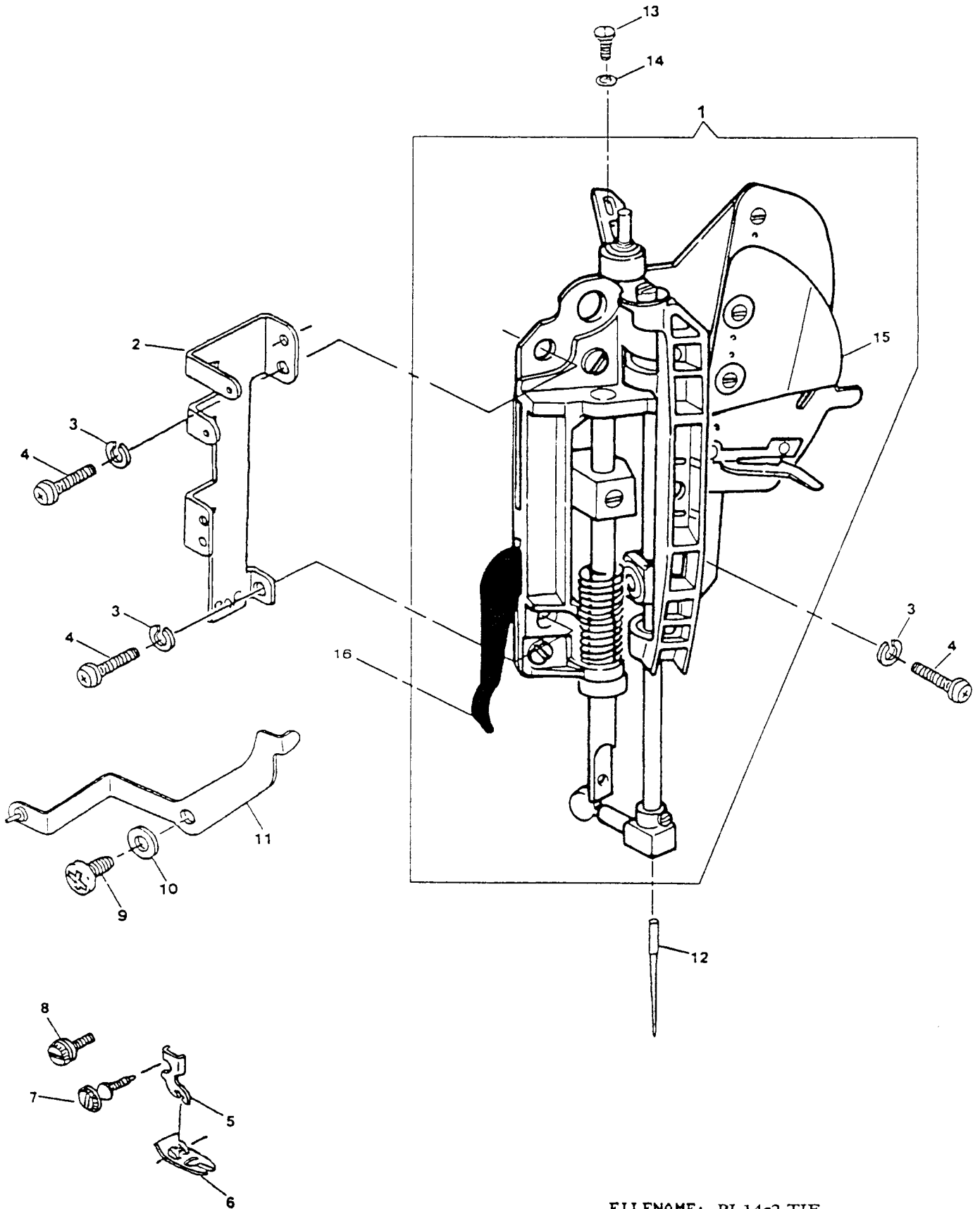


HAND HWEEL
MODEL: 5910N103 (US/CANADA)

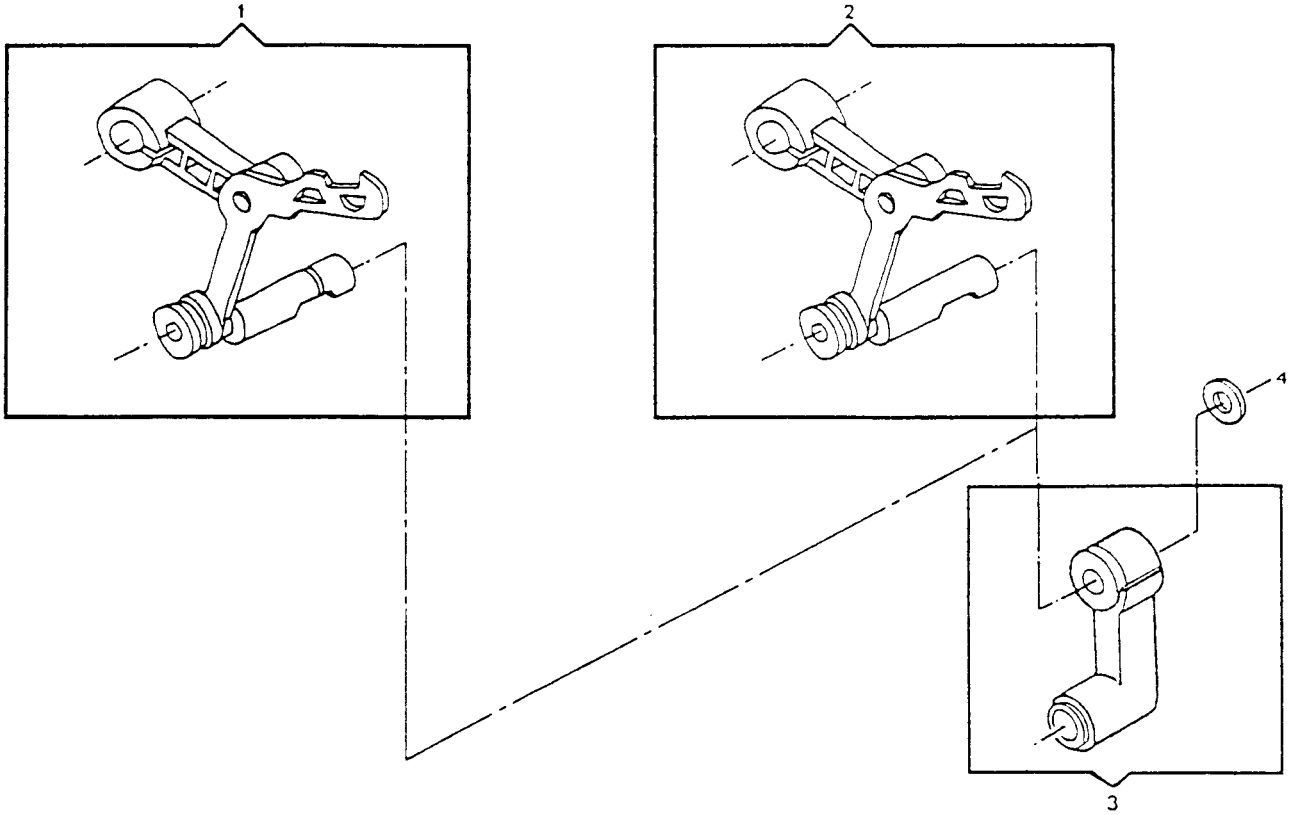
REF. PART NO.	PART NO.	DESCRIPTION
3	316070-001	HAND WHEEL CLUTCH PLATE ASSEMBLY
4	314733-900	HAND WHEEL ACCESS PLATE
5	312628-001	BELT (MOTOR DRIVE) ALT: 979285-001
6	137892-451	HAND WHEEL
7	313153	HAND WHEEL RETAINING RING

COAXIAL PRESSER BAR SYSTEM
MODEL: 5910N103 (US/CANADA)

REF. PART NO.	PART NO.	DESCRIPTION
1	314695-002	HEAD END MODULE (APOLLO)
2	314591	FACE PLATE MOUNTING BRACKET
3	313955-451	HEAD END MOUNTING PLATE LOCK WASHER
4	113455-012	HEAD END MOUNTING PLATE SCREW
5	163706-451	PRESSER FOOT SHANK (SNAP-ON)
6	384129	PRESSER FOOT PLATE (SNAP-ON) FOR ZIG-ZAG SEWING
7	113531-451	PRESSER FOOT THUMB SCREW
9	113455-001	NEEDLE THREAD TENSION RELEASE LEVER HINGE SCREW
10	314041-451	NEEDLE THREAD TENSION RELEASE LEVER RETAINING WASHER
11	314589	NEEDLE THREAD TENSION RELEASE LEVER ASSEMBLY
12	N2020-014	NEEDLE (SIZE NO.14)
13	113408-001	NEEDLE BAR DRIVING ARM BALL JOINT SCREW
14	931929-004	NEEDLE BAR DRIVING ARM BALL JOINT SCREW WASHER
15	314690	THREAD PINCH PLATE
16	314582	PRESSER BAR LIFTER



From the library of: Diamond Needle Corp



From the library of: Diamond Needle Corp

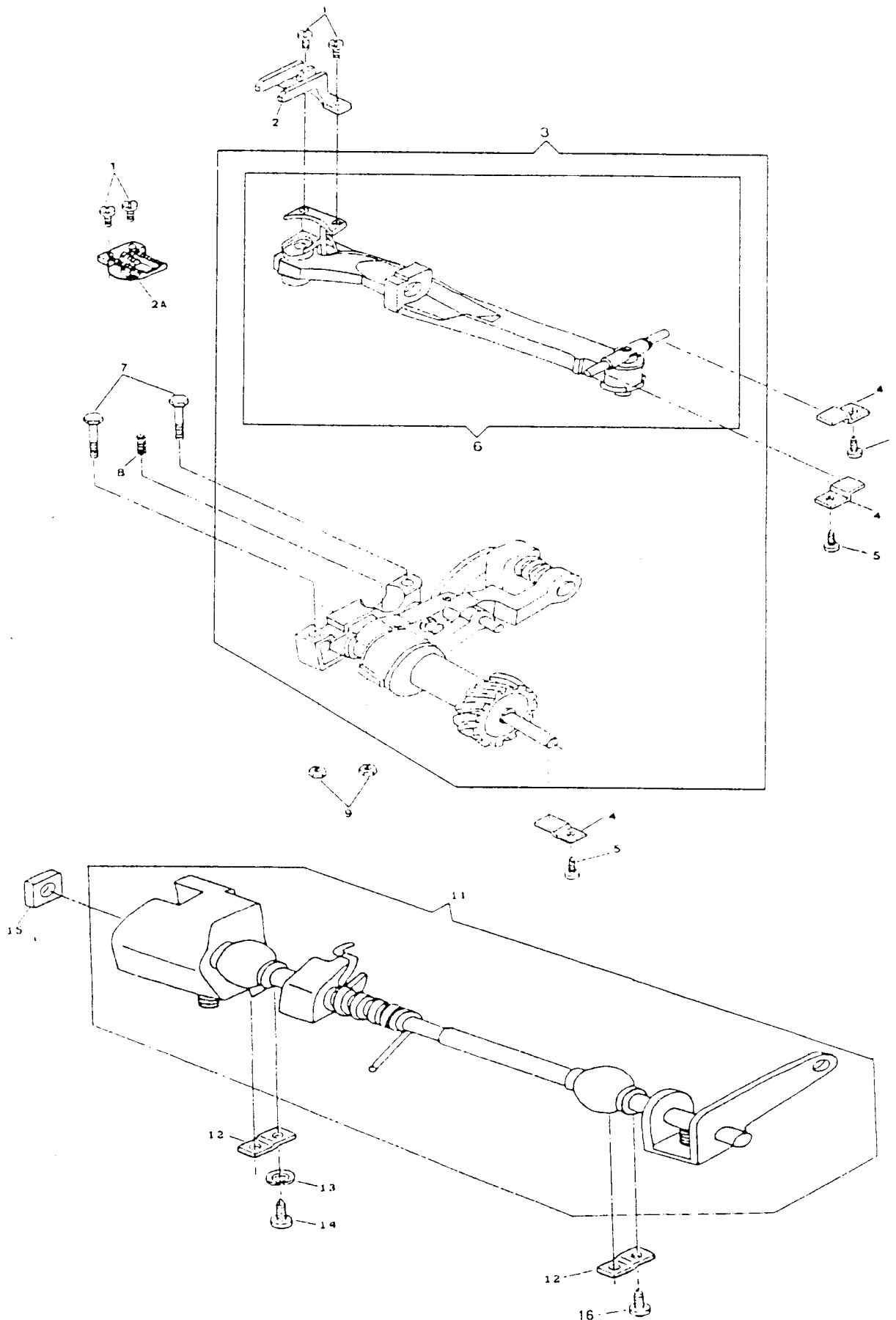
NEEDLE BAR & THREAD TAKE-UP
MODEL: 5910N103 (US/CANADA)

REF. PART NO.	PART NO.	DESCRIPTION
1	314694	THREAD TAKE-UP COMPLETE (APOLLO)
3	137528-901	NEEDLE BAR CONNECTING LINK
4	314071	WASHER, THREAD TAKE-UP LEVER

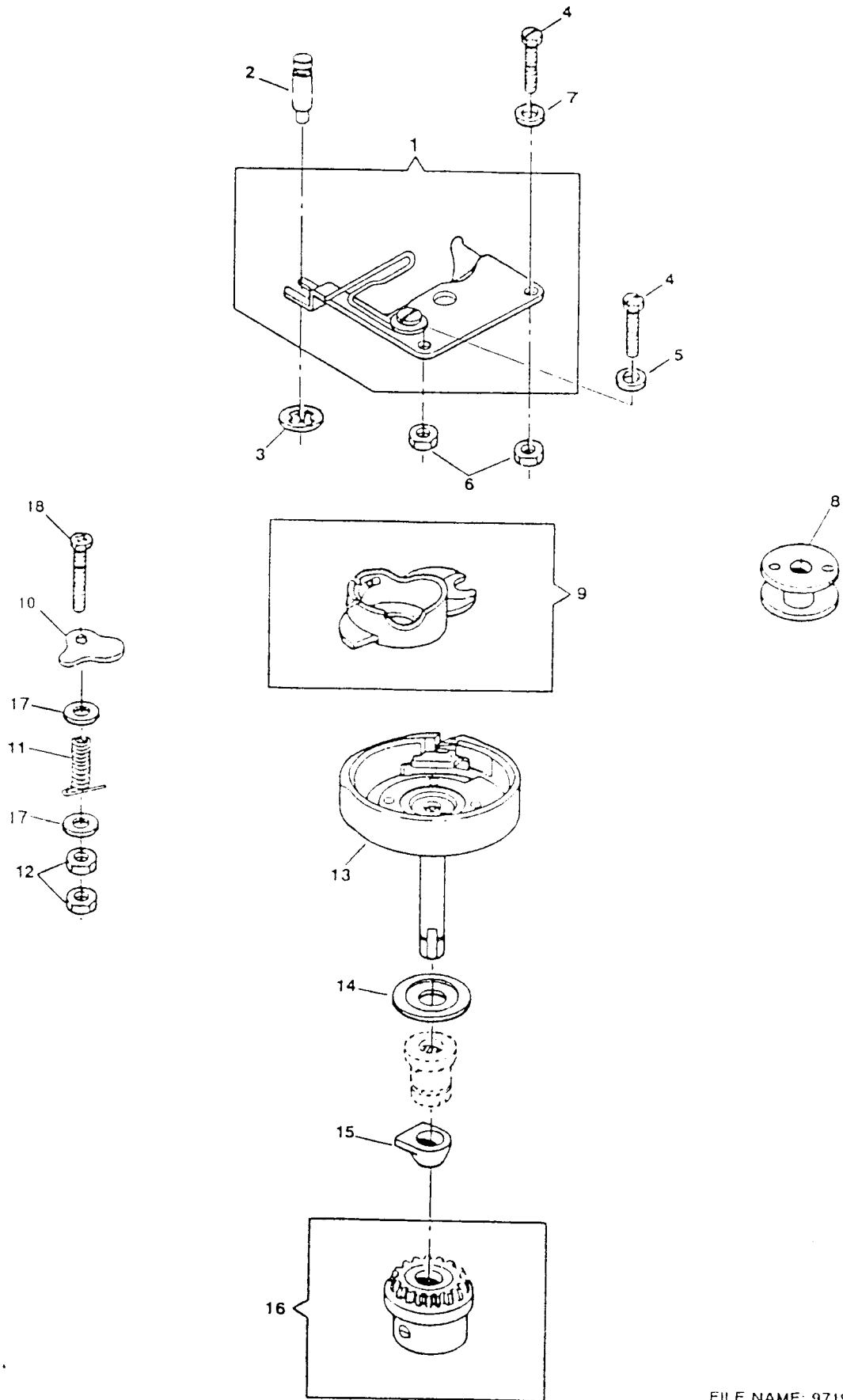
ALPHA FEED
MODEL: 5910N103 (US/CANADA)

REF. PART NO.	PART NO.	DESCRIPTION
1	141920-452	FEED DOG SCREW
2A	312679	FEED DOG (APOLLO)
3	313011	ALPHA FEED MODULE
4	312851	FEED BAR PIVOT HING STUD CLAMP
5	113455-003	CLAMP SCREW
6	314141	FEED BAR ASSEMBLY
7	354921-451	FEED & ROTATING HOOK DRIVE SHAFT BEARING BLOCK SCREW
8	314070	ROTATING HOOK DRIVE SHAFT BUSHING SPING
9	514674-451	FEED & ROTATING HOOK DRIVE SHAFT BEARING BLOCK MOUNTING SCREW NUT
11	313133	FEED REGULATOR SHAFT ASSEMBLY
12	313816	FEED REGULATOR SHAFT BUSHING (SELF-ALIGNING) CLAMP
13	314013-451	FEED REGULATOR SHAFT BUSHING (SELF-ALIGNING) CLAMP SCREW LOCK WASHER
14	113455-001	FEED REGULATOR SHAFT BUSHING (SELF-ALIGNING) CLAMP SCREW
15	511030	FEED REGULATOR SLIDE BLOCK
16	113455-002	

ALPHA FEED



From the library of: Diamond Needle Corp



From the library of: Diamond Needle Corp

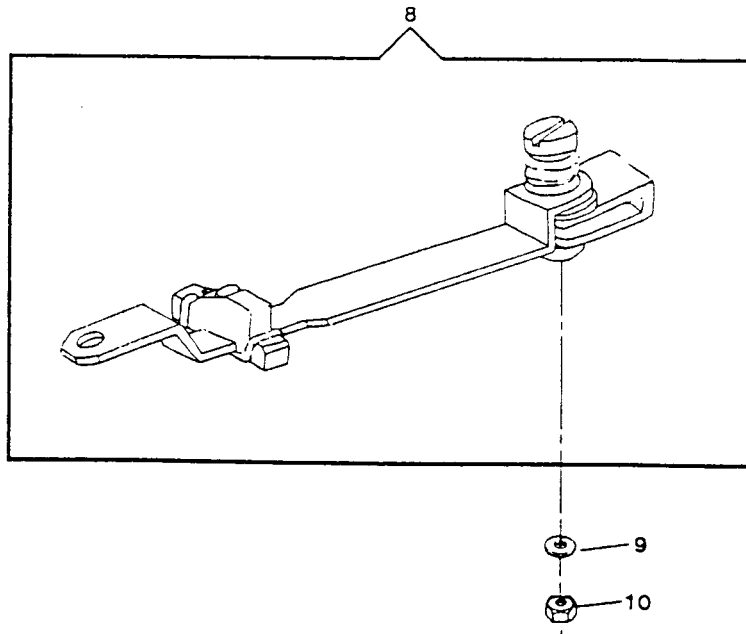
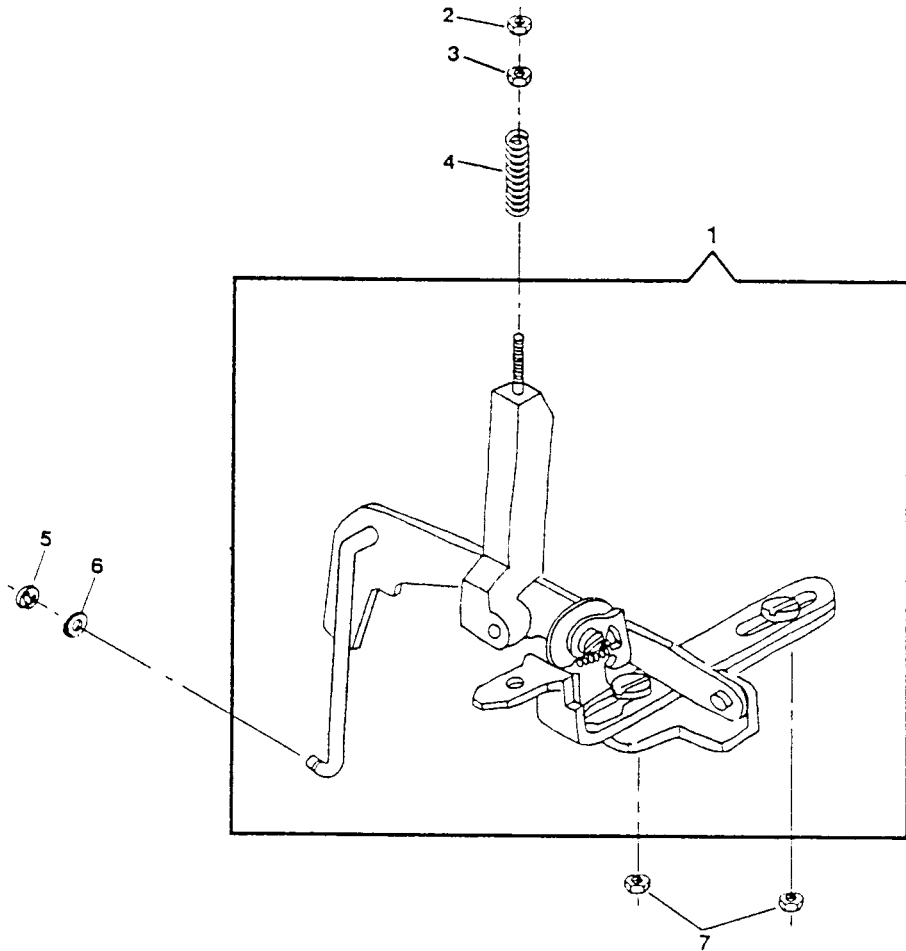
HOOK SYSTEM (APOLLO)
MODEL: 5910N103 (US/CANADA)

REF. NO.	PART NO.	DESCRIPTION
1	313089	ROTATING HOOK BOBBIN CASE POSITION PLATE ASSEMBLY
2	312603	ROTATING HOOK BOBBIN CASE POSITION PLATE HOLD DOWN STUD
3	313161	ROTATING HOOK BOBBIN CASE POSITION PLATE HOLD DOWN STUD RETAINER
4	113439-451	ROTATING HOOK BOBBIN CASE POSITION PLATE SCREW
5	313190-451	ROTATING HOOK BOBBIN CASE POSITION PLATE SCREW WASHER
6	313945-451	ROTATING HOOK BOBBIN CASE POSITION PLATE SCREW NUT
7	446138	ROTATING HOOK BOBBIN CASE POSITION PLATE SCREW WASHER (RIGHT)
8	172336-001	ROTATING HOOK BOBBIN (PLASTIC)
9	421325	ROTATING HOOK BOBBIN CASE COMPLETE
10	313395-900	ROTATING HOOK BOBBIN CASE RETAINING PLATE SUB-ASSEMBLY
11	44892	ROTATING HOOK BOBBIN CASE RETAINING PLATE STUD SPRING
12	514674-451	ROTATING HOOK BOBBIN CASE RETAINING PLATE STUD RETAINING RING
13	447926-932	ROTATING HOOK COMPLETE
14	314049-001	ROTATING HOOK FLANGED BUSHING THRUST WASHER
15	312847	ROTATING HOOK FLANGED BUSHING WASHER
16	314012	ROTATING HOOK BEVEL GEAR COMPLETE
17	931929-004	WASHER, BOBBIN CASE RETAINING
18	137315-453	ROTATING HOOK BOBBIN CASE RETAINING PLATE SCREW

PATTERN, STITCH LENGTH CONTROL & CAM CONTROLLED FEED
MODEL: 5910N103 (US/CANADA)

REF. PART NO.	PART NO.	DESCRIPTION
1	314601-001	PATTERN SELECTOR MODULE
2	113455-001	DISCSELECTOR MECHANISM MOUNTING PLATE SCREW (LEFT AND RIGHT)
3	314013-451	DISC SELECTOR MECHANISM MOUNTING PLATE SCREW (LEFT AND RIGHT)
4	314607	BIGHT AMPLITUDE CONTROL LEVER ASSEMBLY
5	113455-014	BIGHT AMPLITUDE CONTROL LEVER STOP ADJUSTMENT SCREW
6	314683	BIGHT AMPLITUDE CONTROL LEVER RETAINER
7	353457	BIGHT AMPLITUDE CONTROL LEVER FRICTION WASHER
8	314611	BIGHT AMPLITUDE CONTROL LEVER SHOULDER WASHER
26	314497	NEEDLE BAR DRIVING ARM SLIDE POSITIONING SPRING

PATTERN STITCH LENGTH CONTROL AND CAM CONTROLLED FEED (CONT.)



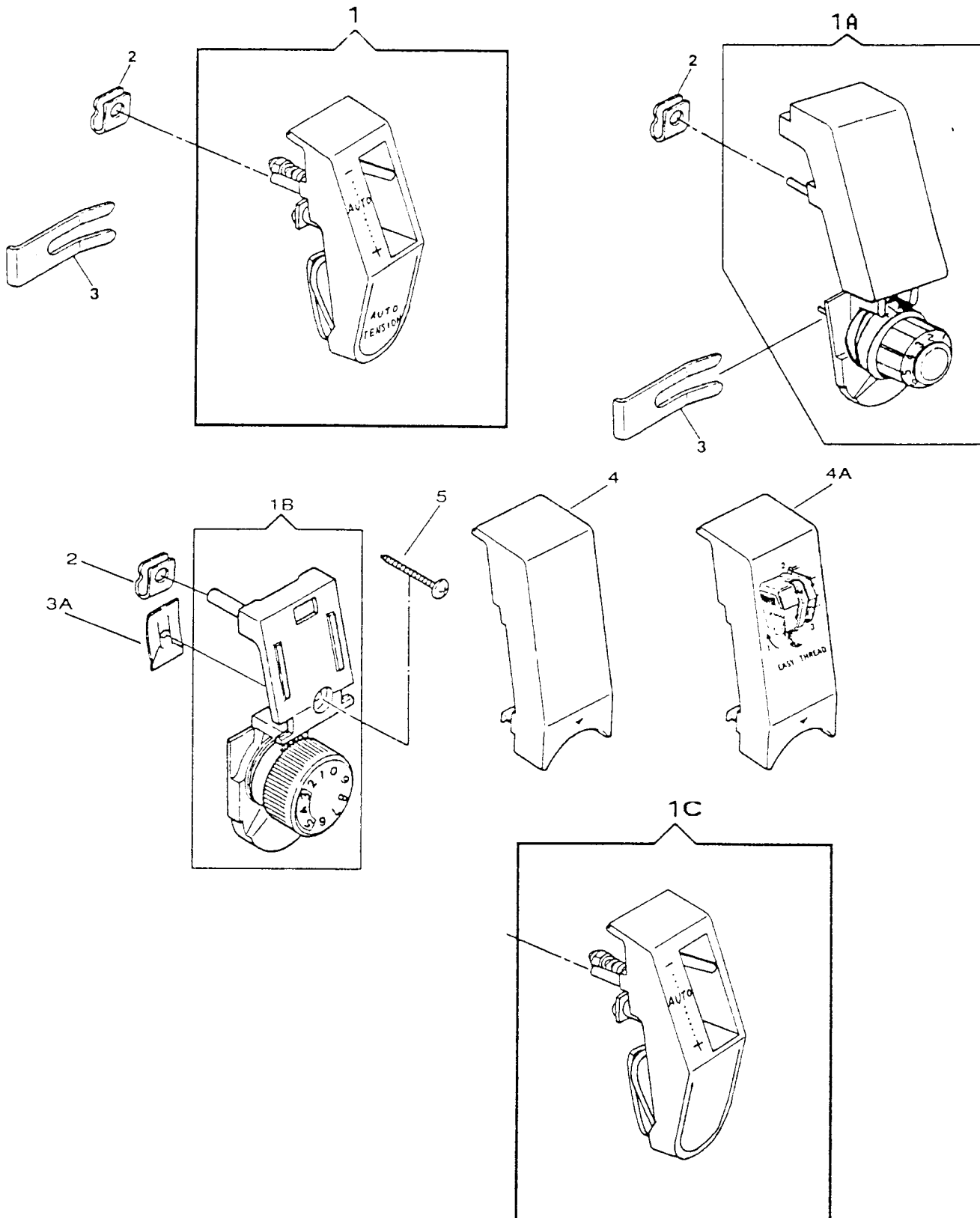
From the library of: Diamond Needle Corp

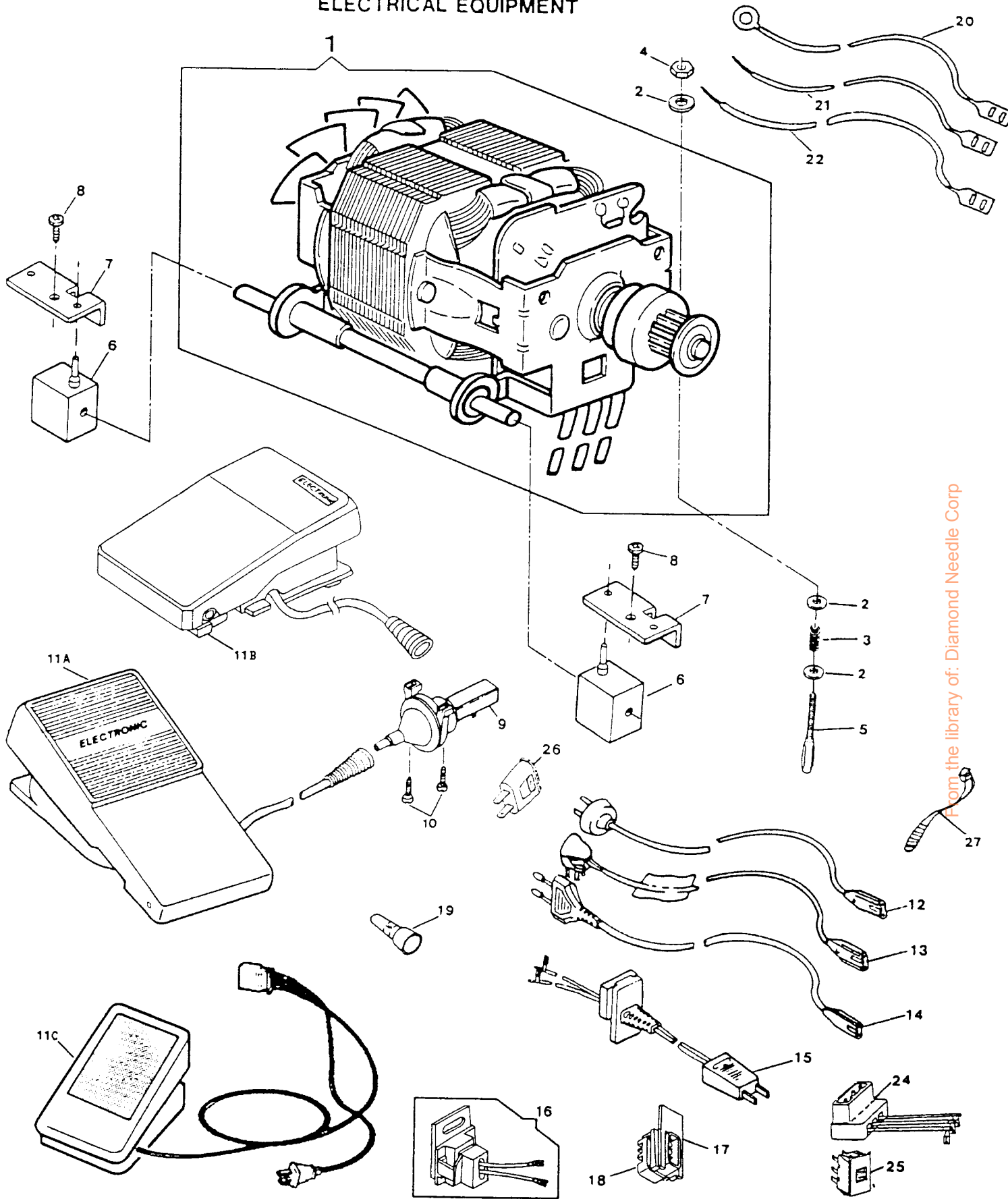
PATTERN, STITCH LENGTH CONTROL & CAM CONTROLLED FEED (CONT.)
MODEL: 5910N103 (US/CANADA)

REF. PART NO.	PART NO.	DESCRIPTION
1	314300-001	FEED REVERSE MECHANISM
2	514674-451	CAM CONTROLLED FEED CONNECTING ROD LOCKING NUT
3	312645-451	CAM CONTROLLED FEED DISC FOLLOWER ACTUATOR CONNECTING ROD ADJUSTING
4	313143	CAM CONTROLLED FEED DISC FOLLOWER ACTUATOR CONNECTING ROD SPRING
5	312702	FEED LEVER CONNECTING LINK RETAINING RING
6	313891	CAM CONTROLLED FEED CONNECTING ROD STABILIZING WASHER
7	514674-451	REVERSE FEED CONTROL LEVER GUIDE SCREW NUT
8	313569	STITCH LENGTH CONTROL LEVER ASSEMBLY
10	313177-451	STITCH LENGTH CONTROL LEVER NUT

DEMAND RESPONSIVE NEEDLE TENSION SYSTEM
MODEL: 5910N103 (US/CANADA)

REF. PART NO.	PART NO.	DESCRIPTION
1	317011-004	THREAD TENSION MODULE
2	313199	TENSION COVER MOUNTING RETAINER
3	313047	TENSION COVER RETAINING CLIP



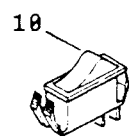
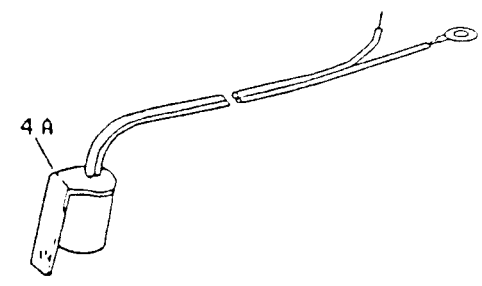
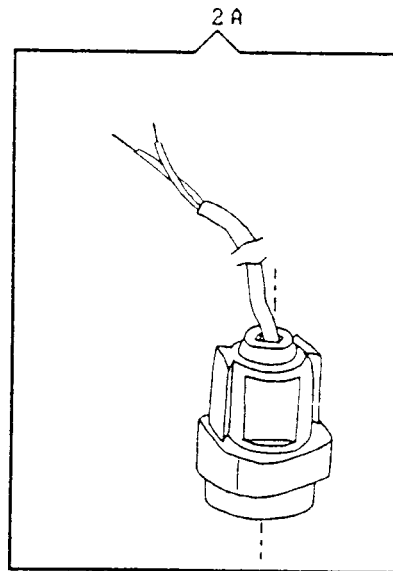
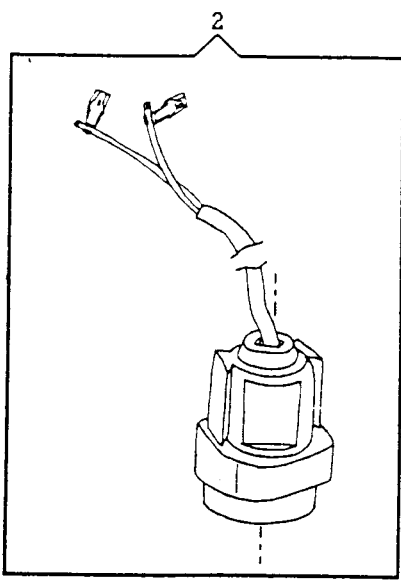
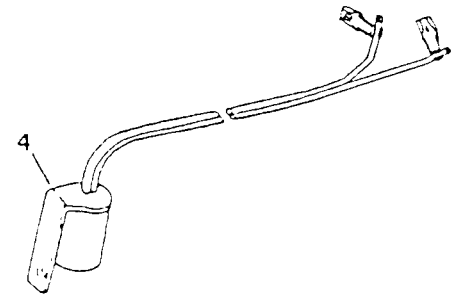
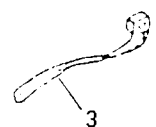
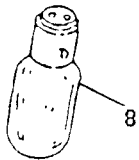
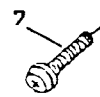
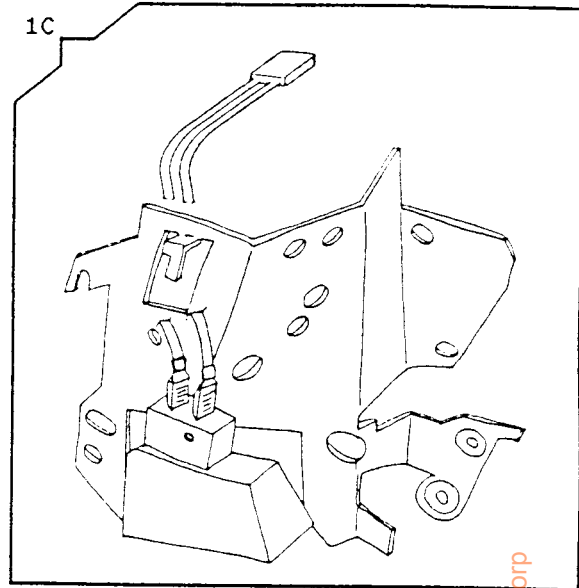
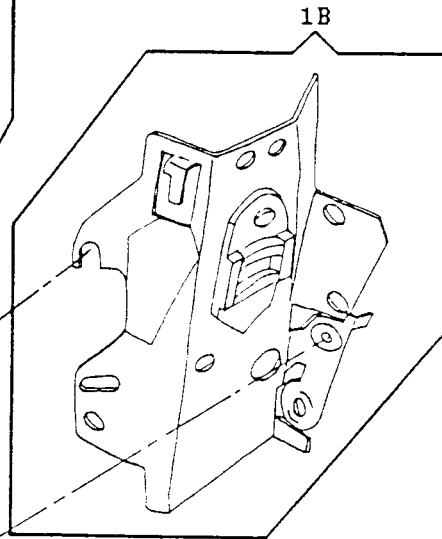
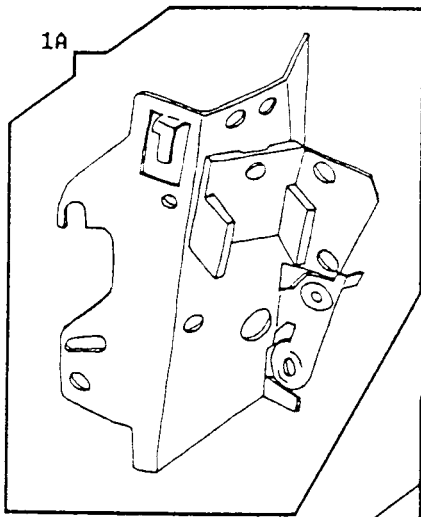


ELECTRICAL EQUIPMENT
MODEL: 5910N103 (US/CANADA)

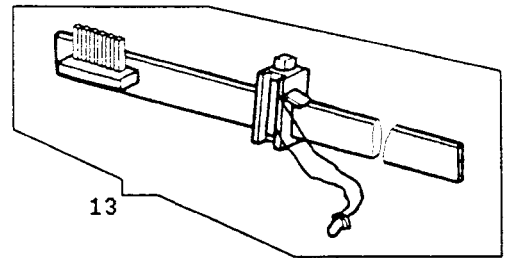
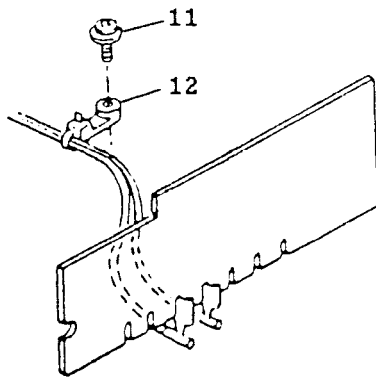
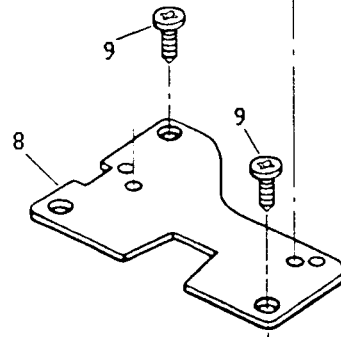
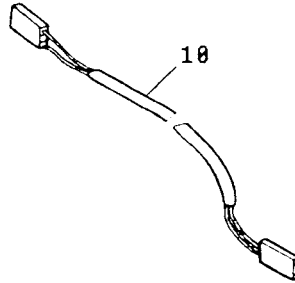
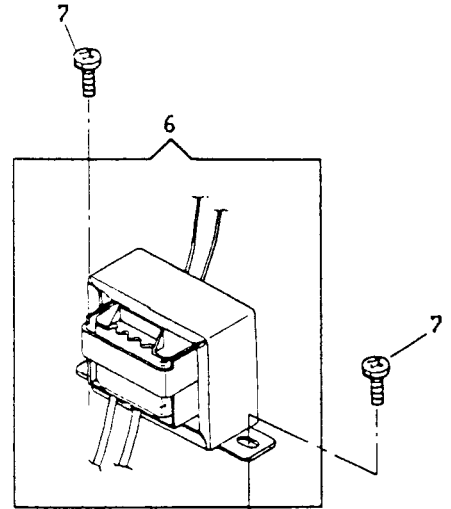
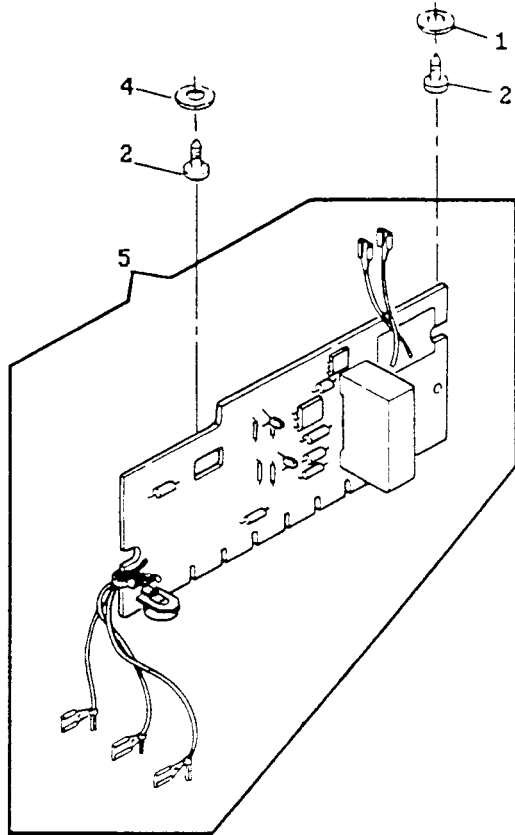
REF. PART NO.	PART NO.	DESCRIPTION
1	988529-022	MOTOR COMPLETE (120V) (NATIONAL #TA4-8)
2	37969	MOTOR ADJUSTING STUD NUT WASHER
3	314058-001	MOTOR BELT TENSION SPRING
4	53646	MOTOR ADJUSTING STUD NUT
5	988653- ⁰⁰³ 008	MOTOR ADJUSTING STUD
6	979329-001	RESILIENT MOUNT
7	988651-001	CLIP
8	113470-004	MOTOR MOUNTING SCREW
9	988549-005	PNEUMATIC TRANSDUCER
10	113444-003	PNEUMATIC TRANSDUCER MOUNTING SCREW
11A	988667-001	PNEUMATIC CONTROLLER ASSEMBLY
15	988557-001	CORD COMPLETE (120V)

ELECTRICAL EQUIPMENT (CONT.)
MODEL: 5910N103 (US/CANADA)

REF. PART NO.	PART NO.	DESCRIPTION
1B	314823-003	LINT AND HEAD SHIELD ASSEMBLY (120V)
3	540899	TY-WRAP SELF-LOCKING
4	988728-001	LAMP SOCKET (120V) (U.S.A./CANADA)
5	113455-003	THREAD TAKE-UP COVER AND LINT/HEAT SHIELD SCREW
7	137813-002	SCREW, LINT AND HEAT SHIELD MOUNTING
8	194120-019	LIGHT BULB (120V) (ALT:542656-005) (DUAL VOLTAGE FOR U.S.A/KOREA/GERMANY & H.K.)
10	979585-004	ROCKER SWITCH (310K)



From the library of: Diamond Needle Corp



From the library of: Diamond Needle Corp

ELECTRICAL EQUIPMENT (CONT.)
MODEL: 5910N103 (US/CANADA)

REF. NO.	PART NO.	DESCRIPTION
1	988547-002	WASHER, P.C. BOARD MOUNTING
2	113444-001	SCREW, P.C. BOARD MOUNTING
4	988547-001	WASHER, P.C. BOARD MOUNTING
5	979584-002	SPEED CONTROL P.C. BOARD ASSEMBLY (120V) (FULL WAVE)
11	113455-001	SCREW, LIGHT HARNESS
12	604690-001	SELF-LOCKING NYLON CABLE TIE, LIGHT HARNESS